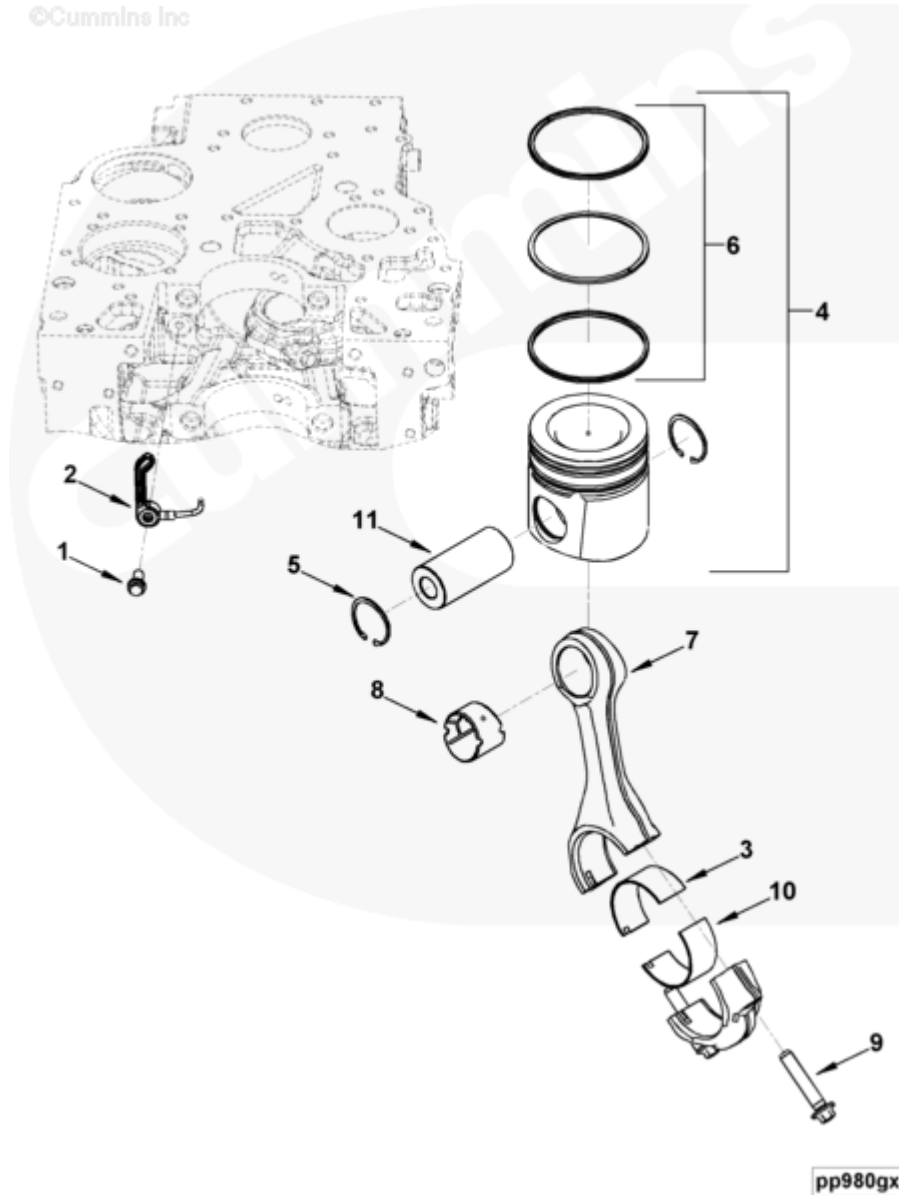




Parts Catalog - Option Detail

Electronic Parts Catalog - Option Detail				
Option	Group	Graphic	Film Card	Date
PP43887	01.04	pp980gx	T	05-MAR-13
Engines	4B3.9, 6A3.4, 6B5.9, B GAS INTERNATIONAL CM556, B4.5, B4.5 CM2350 B129B, B4.5 CM2350 B146C, B4.5 CM2350 B147B, B4.5 RGT, B4.5S, B5.9 G, B5.9 GAS PLUS CM556, B5.9 LPG, B5.9 LPG PLUS CM556, B6.7 CM2350 B121B, B6.7 CM2350 B135B, B6.7 CM2350 B136C, B6.7 CM2350 B148B, B6.7 G CMOH6.0 B125, B6.7N CM2380 B150B, B6.7S, F3.8 CM2350 F120B, F3.8 CM2350 F128C, F3.8 CM2350 F132B, F3.8 F102, G3.9, G5.9, G5.9 CM558, ISB (CHRYSLER), ISB CM2150, ISB CM2150 E, ISB CM550, ISB CM850, ISB/ISD4.5 CM2150 B119, ISB/ISD4.5 CM2150 SN, ISB/ISD6.7 CM2150 B120, ISB/ISD6.7 CM2150 SN, ISB/ISD6.7 CM2880 B126, ISB3.9 CM2220 B107, ISB4.5 CM2150, ISB5.9G CM2180, ISB6.7 2010 DCX PICKUP, ISB6.7 2013 DCX CHASSIS CAB, ISB6.7 CM2150 SQ, ISB6.7 CM2250, ISB6.7 CM2350 B101, ISB6.7 CM2350 B103, ISB6.7 CM2350 B142, ISB6.7 CM2670 B153B, ISB6.7 G CM2180 B118, ISBE CM2150, ISBE CM800, ISBE2/ISBE3 CM850, ISBE4 CM850, ISD4.5 CM2150, ISD6.7 CM2880 D101, ISF2.8 CM2220, ISF2.8 CM2220 AN, ISF2.8 CM2220 EC, ISF2.8 CM2220 ECF2, ISF2.8 CM2220 F101, ISF2.8 CM2220 F117, ISF2.8 CM2220 F122, ISF2.8 CM2220 F126, ISF2.8 CM2220 F129, ISF2.8 CM2220 IAN, ISF3.8 CM2220, ISF3.8 CM2220 AN, ISF3.8 CM2220 F103, ISF3.8 CM2220 F110, ISF3.8 CM2220 F116, ISF3.8 CM2220 F134B, ISF3.8 CM2220 IAN, ISF3.8 CM2350 F109, ISF4.5 CM2220 F123, ISG11 CM2880 G106, ISG11 CM2880 G108, ISG12 CM2880 G107, ISG12 CM2880 G109, ISG12 G CMOH6.0 G111, QSB3.9 30 CM550, QSB3.9 CM2880 B138, QSB4.5 30 CM550, QSB4.5 CM2150 B108, QSB4.5 CM2250 B131, QSB4.5 CM2250 EC, QSB4.5 CM2350 B106, QSB4.5 CM2350 B122			



SMALL | MEDIUM | LARGE

Cart	Ref No	Part Number	Part Description	Required	Remarks
View My Cart					
		PP43887	Performance Parts		Connecting Rod and Piston...(More)
					technical model name: 6
					tba6.7-me
					Engine Family: "B" Series
					CPL: 3887
					Certified By: Imo ,Imo ,Eu
					,EPA not used:
					Cylinders: 0006 not used:
					Engine Aspiration:

					Seawater Aftercooled
					Engine Control System: Bdb
					engine application: Marine
					comment: N/A engine design
					phase: L service model name:
					Qsb6.7 ECM version: CM2250
					centinel provision: N/A
					label: On right of fuel
					manifold variant construction
					for "B" Series engines:
					Manufacturing may substitute
					5259180 and screw 3900628 for
					injector clamp 5262654 and
					screw 3397506.
<input type="checkbox"/>	1	3964817	Banjo Connector Screw	6	
<input type="checkbox"/>	2	5284228	Piston Cooling Nozzle	6	
<input type="checkbox"/>	3	3969562	Connecting Rod Bearing	6	Standard.
<input type="checkbox"/>	4	4309259	Engine Piston Kit	6	
		5284820	Engine Piston	1	Serviced As 4309259.
<input type="checkbox"/>	5	3920691	Retaining Ring	2	
<input type="checkbox"/>	6	4309257	Piston Ring Set	1	
		4932587	Compression Piston Ring	1	
		5294194	Compression Piston Ring	1	
<input type="checkbox"/>		4932801	Oil Piston Ring	1	
<input type="checkbox"/>		5257364	Engine Connecting Rod	6	
	7	4989162	Engine Connecting Rod	1	
	8	5257363	Bushing	1	
<input type="checkbox"/>	9	4891179	Connecting Rod Cap Screw	2	
<input type="checkbox"/>	10	4893693	Connecting Rod Bearing	6	Standard.

<input type="checkbox"/>	11	4931041	Piston Pin	6	
<input type="checkbox"/>	3	4932375	Connecting Rod Bearing	A/R	0.25 mm Oversize.
<input type="checkbox"/>	3	4932376	Connecting Rod Bearing	A/R	0.50 mm Oversize.
<input type="checkbox"/>	3	4932377	Connecting Rod Bearing	A/R	0.75 mm Oversize.
<input type="checkbox"/>	3	4932378	Connecting Rod Bearing	A/R	1.00 mm Oversize.
<input type="checkbox"/>	4	4309260	Engine Piston Kit	A/R	0.50 mm Oversize
		5292846	Engine Piston	1	Serviced as 4309260
<input type="checkbox"/>	5	3920691	Retaining Ring	2	
<input type="checkbox"/>	6	4309258	Piston Ring Set	1	
		4932802	Oil Piston Ring	1	
		4934282	Compression Piston Ring	1	
		5294197	Compression Piston Ring	1	
<input type="checkbox"/>	10	4892795	Connecting Rod Bearing	A/R	0.25 mm Oversize.
<input type="checkbox"/>	10	4892796	Connecting Rod Bearing	A/R	0.50 mm Oversize.
<input type="checkbox"/>	10	4892797	Connecting Rod Bearing	A/R	0.75 mm Oversize.
<input type="checkbox"/>	10	4892798	Connecting Rod Bearing	A/R	1.00 mm Oversize.